

Hose directory

Edition 1.1



ozonetech.

a **MELLIFIQ** brand

Table of Contents

	Page
PA (Polyamide) Hard wearing, good pressure resistance.	2
PA12HIPHL (Polyamide) Brake hose in accordance with DIN 74324 for vehicles.	3
HTRAB (TPE) Brake hose in accordance with ISO 7628:2010 for vehicles.	4
PUR (Polyurethane) Small bend radius.	5
PUS (CO-Polyurethane) Small bend radius.	6
PES (Polyethylene) Good resistance to chemicals.	7
PV (Polyvinylchloride) Very resistant to pressure.	8
PTFE (Polytetrafluoroethylene) Extremely good temperature and chemical properties.	9
1-PA (Polyamide + Polyvinylchloride)	
PA hose with a protective PVC casing for use in for example welding environments.	10
PASP (Polyamide) Spiral hose in PA.	11
Multi-core A line containing one/several hoses and/or electrical cables.	12
PUR-DUO (Polyurethane) Two welded hoses made of PUR.	13
PUR-DUO-SP (Polyurethane) A spring with two welded hoses made of PUR.	14
Accessories for hoses Hose cutters, clamps and T-clips etc.	15

Hose guide

Ranking our hoses (1 is best).

Type	UV stabilised	Halogen free	Bend radius	Pressure	Low temperature	High temperature	Chemical resistance*	Price
PA	YES	YES	3	2	2	3	3	3
PUR	NO	YES	2	5	2	3	6	2
PUS	YES	YES	1	3	2	2	5	2
PES	NO	YES	3	4	2	4	2	1
PV	NO	NO	4	1	3	4	4	4
PTFE	YES	YES (white)	4	2	1	1	1	5

*Comparisons regarding chemical resistance are only a rough guide. Lower ranked materials tolerate certain chemicals better than higher ranked materials. Check using chemical resistance tables or ask our technical department.

INFORMATION

UV stabilised = Most plastics are degraded by UV rays. The impact is restricted by the depth of material that the light penetrates. Thin and unpigmented material is more sensitive. Black is best. The resistance can be improved by the addition of antioxidants, UV-stabilisers or pigment that absorbs the light. Smoke (soot) is an excellent UV-stabiliser. Side effects of UV light are discolouration, reduced mechanical strength and cracking.

Halogen free = Is more for the safety aspect because it gives off significantly less and less harmful smoke in the event of a fire, which also means less risk of injury and damage to electronic equipment) in the event of a fire.

PA (Polyamide)

PA is a hard wearing option with excellent pressure resistance.

- Flexible
- Pressure resistant
- Temperature resistant
- Chemical resistant
- Halogen free
- UV stabilised

TECHNICAL DATA	
Material	PA12P40
Hardness	Medium hardness - 65 Shore D
Temperature range	-40°C + +80°C

COMPATIBILITY	
Series 6000 Series X6000 Series 7000 Series 8000	
Push connector/Rapid* *note the inner diameter	
Compression ring connector/ Universat* *note the inner diameter	



EØ/IØ (mm)	Length (m)	Bend radius (mm)	○	●	●	●	Operating pressure (bar) - Safety factor 3			
							23°C	40°C	60°C	80°C
3/2	100	18	PA-3/2 WHITE 100M	PA-3/2 BLUE 100M *	PA-3/2 BLACK 100M *	PA-3/2 SILVER GREY 100M *	26	19	15	12
4/2,7	100	24	PA-4/2,7 WHITE 100M	PA-4/2,7 BLUE 100M	PA-4/2,7 BLACK 100M	PA-4/2,7 SILVER GREY 100M	26	19	15	12
4/2,7	25	24	PA-4/2,7 WHITE 25M IN BOX	PA-4/2,7 BLUE 25M IN BOX	PA-4/2,7 BLACK 25M IN BOX	PA-4/2,7 SILVER GREY 25M IN BOX *	26	19	15	12
5/3,2	100	30	PA-5/3,2 WHITE 100M	PA-5/3,2 BLUE 100M	PA-5/3,2 BLACK 100M	PA-5/3,2 SILVER GREY 100M *	29	21	17	14
5/3,2	25	30	PA-5/3,2 WHITE 25M IN BOX *	PA-5/3,2 BLUE 25M IN BOX	PA-5/3,2 BLACK 25M IN BOX *	PA-5/3,2 SILVER GREY 25M IN BOX *	29	21	17	14
6/4,2	100	36	PA-6/4,2 WHITE 100M	PA-6/4,2 BLUE 100M	PA-6/4,2 BLACK 100M	PA-6/4,2 SILVER GREY 100M	23	17	13	11
6/4,2	25	36	PA-6/4,2 WHITE 25M IN BOX	PA-6/4,2 BLUE 25M IN BOX	PA-6/4,2 BLACK 25M IN BOX	PA-6/4,2 SILVER GREY 25M IN BOX *	23	17	13	11
8/6	50	50	PA-8/6 WHITE 50M	PA-8/6 BLUE 50M	PA-8/6 BLACK 50M	PA-8/6 SILVER GREY 50M	19	14	11	9
8/6	25	50	PA-8/6 WHITE 25M IN BOX	PA-8/6 BLUE 25M IN BOX	PA-8/6 BLACK 25M IN BOX *	PA-8/6 SILVER GREY 25M IN BOX *	19	14	11	9
10/8	50	80	PA-10/8 WHITE 50M	PA-10/8 BLUE 50M	PA-10/8 BLACK 50M	PA-10/8 SILVER GREY 50M *	14	10	8	7
10/8	25	80	PA-10/8 WHITE 25M IN BOX	PA-10/8 BLUE 25M IN BOX	PA-10/8 BLACK 25M IN BOX *	PA-10/8 SILVER GREY 25M IN BOX *	14	10	8	7
12/10	50	118	PA-12/10 WHITE 50M	PA-12/10 BLUE 50M	PA-12/10 BLACK 50M	PA-12/10 SILVER GREY 50M *	12	9	7	6
12/10	25	118	PA-12/10 WHITE 25M IN BOX	PA-12/10 BLUE 25M IN BOX	PA-12/10 BLACK 25M IN BOX	PA-12/10 SILVER GREY 25M IN BOX *	12	9	7	6
14/12	50	163	PA-14/12 WHITE 50M	PA-14/12 BLUE 50M	PA-14/12 BLACK 50M *	PA-14/12 SILVER GREY 50M *	10	7	6	5
15/12,5	50	147	PA-15/12,5 WHITE 50M	PA-15/12,5 BLUE 50M	PA-15/12,5 BLACK 50M	PA-15/12,5 SILVER GREY 50M *	12	9	7	6
16/13	50	138	PA-16/13 WHITE 50M	PA-16/13 BLUE 50M *	PA-16/13 BLACK 50M *	PA-16/13 SILVER GREY 50M *	13	9	7	6

*not held in stock
Other colours, sizes, lengths, rolls, reels etc. available on request.

PA12HIPHL (Brake hose made of polyamide)

PA12HIPHL is used for brake hoses on vehicles.

- Brake hose in accordance with DIN 74324
- Flexible
- Pressure resistant
- Temperature resistant
- Chemical resistant
- Halogen free
- UV stabilised

TECHNICAL DATA	
Material	PA12HIPHL
Hardness	Medium hardness - 63 Shore D
Temperature range	-40°C + +93°C

COMPATIBILITY	
Brake connector Series 9000* *note the inner diameter	



EØ/IØ (mm)	Length (m)	Bend radius (mm)	●	Operating pressure (bar) - Safety factor 3			
				23°C	40°C	60°C	80°C
4/2	100	24	PA12HIPHL-4/2 DIN74324 100M	44	31	24	20
6/4	100	36	PA12HIPHL-6/4 DIN74324 100M	26	18	14	12
8/6	50	50	PA12HIPHL-8/6 DIN74324 50M	19	13	10	9
10/7	50	60	PA12HIPHL-10/7 DIN74324 50M	23	17	13	11
10/8	50	80	PA12HIPHL-10/8 DIN74324 50M	14	10	8	6
12/9	50	75	PA12HIPHL-12/9 DIN74324 50M	19	13	10	9
15/11	50	90	PA12HIPHL15/11 DIN74324 50M	20	14	11	9
15/12	50	121	PA12HIPHL-15/12 DIN74324 50M	14	10	8	6
16/12	50	100	PA12HIPHL-16/12 DIN74324 50M	19	14	11	9
18/14	50	129	PA12HIPHL-18/14 DIN74324 50M	16	11	9	7
1/4"/4,3	100	38	PA12HIPHL-1/4 DIN74324 100M *	26	19	15	10
3/8"/6,4	50	57	PA12HIPHL-3/8 DIN74324 50M *	26	19	15	12
1/2"/9,5	50	79	PA12HIPHL-1/2 DIN74324 50M *	19	14	11	9
5/8"/11,2	50	95	PA12HIPHL-5/8 DIN74324 50M *	22	16	13	10

*not held in stock
Other sizes, lengths, rolls, reels etc. available on request.



HTRAB (Brake hose made of Thermoplastic Polyester Elastomer polymer – TPE)

HTRAB is used for brake hoses on vehicles.

- Brake hose in accordance with ISO 7628:2010
- Excellent mechanical properties
- Flexible
- Pressure resistant
- Temperature resistant
- Chemical resistant
- Halogen free
- UV stabilised



TECHNICAL DATA	
Material	TPE
Hardness	Medium hardness – 65 Shore D
Temperature range	CAT.1: -40°C ÷ +100°C CAT.3: -40°C ÷ +125°C For water: max 65°C

COMPATIBILITY
Brake connector Series 9000* *note the inner diameter
 

EØ/Ø (mm)	Length (m)	Bend radius (mm)	●	Operating pressure (bar) - Safety factor 4			
				23°C CAT.1 / CAT.3	40°C CAT.1 / CAT.3	60°C CAT.1 / CAT.3	80°C CAT.1 / CAT.3
6/4	100	30	HTRAB 6/4 BLACK 100M ISO7628-2010	10 / 12,5	9,5 / 11,9	8,5 / 10,6	7,6 / 9,5
8/6	100	40	HTRAB 8/6 BLACK 100M ISO7628-2010	10 / 12,5	9,5 / 11,9	8,5 / 10,6	7,6 / 9,5
10/8	50	50	HTRAB 10/8 BLACK 50M ISO7628-2010	10 / 12,5	9,5 / 11,9	8,5 / 10,6	7,6 / 9,5
12/9	50	60	HTRAB 12/9 BLACK 50M ISO7628-2010	10 / 12,5	9,5 / 11,9	8,5 / 10,6	7,6 / 9,5
15/12	50	75	HTRAB 15/12 BLACK 50M ISO7628-2010	10 / 12,5	9,5 / 11,9	8,5 / 10,6	7,6 / 9,5
16/12	50	80	HTRAB 16/12 BLACK 50M ISO7628-2010	10 / 12,5	9,5 / 11,9	8,5 / 10,6	7,6 / 9,5
18/14	50	90	HTRAB 18/14 BLACK 50M ISO7628-2010	10 / 12,5	9,5 / 11,9	8,5 / 10,6	7,6 / 9,5







Other sizes, lengths, rolls, reels etc. available on request.

PUR (Polyurethane)

PUR is primarily used in confined spaces because it has a small bend radius.

- Extremely flexible
- Excellent bend radius
- Temperature resistant
- Halogen free

TECHNICAL DATA	
Material	PUR C98A
Hardness	Soft - 98 Shore A/52 Shore D
Temperature range	-40°C ÷ +80°C (momentary +100°C)

COMPATIBILITY
Series 6000 Series X6000 Series 7000 Series 8000
 
Push connector/Rapid* *note the inner diameter
 
Compression ring connector/ Universal* *note the inner diameter
 



EØ/Ø (mm)	Length (m)	Bend radius (mm)	○	●	●	●	Operating pressure (bar) - Safety factor 3					
							20°C	30°C	40°C	50°C	60°C	70°C
4/2,2	100	10	PUR-4/2,2 WHITE 100M	PUR-4/2,2 BLUE 100M	PUR-4/2,2 BLACK 100M	PUR-4/2,2 SILVER GREY 100M	17	15	13	11	10	9
4/2,2	25	10	PUR-4/2,2 WHITE 25M IN BOX	PUR-4/2,2 BLUE 25M IN BOX	PUR-4/2,2 BLACK 25M IN BOX	PUR-4/2,2 SILVER GREY 25M IN BOX*	17	15	13	11	10	9
5/3,1	100	15	PUR-5/3,1 WHITE 100M	PUR-5/3,1 BLUE 100M	PUR-5/3,1 BLACK 100M	PUR-5/3,1 SILVER GREY 100M	13	12	10	9	8	7
5/3,1	25	15	PUR-5/3,1 WHITE 25M IN BOX*	PUR-5/3,1 BLUE 25M IN BOX*	PUR-5/3,1 BLACK 25M IN BOX*	PUR-5/3,1 SILVER GREY 25M IN BOX	13	12	10	9	8	7
6/3,9	100	20	PUR-6/3,9 WHITE 100M	PUR-6/3,9 BLUE 100M	PUR-6/3,9 BLACK 100M	PUR-6/3,9 SILVER GREY 100M	12	11	9	8	7	7
6/3,9	25	20	PUR-6/3,9 WHITE 25M IN BOX	PUR-6/3,9 BLUE 25M IN BOX	PUR-6/3,9 BLACK 25M IN BOX	PUR-6/3,9 SILVER GREY 25M IN BOX*	12	11	9	8	7	7
8/5,7	50	34	PUR-8/5,7 WHITE 50M	PUR-8/5,7 BLUE 50M	PUR-8/5,7 BLACK 50M	PUR-8/5,7 SILVER GREY 50M	10	9	7	7	6	5
8/5,7	25	34	PUR-8/5,7 WHITE 25M IN BOX	PUR-8/5,7 BLUE 25M IN BOX	PUR-8/5,7 BLACK 25M IN BOX	PUR-8/5,7 SILVER GREY 25M IN BOX*	10	9	7	7	6	5
10/7,5	50	50	PUR-10/7,5 WHITE 50M	PUR-10/7,5 BLUE 50M	PUR-10/7,5 BLACK 50M	PUR-10/7,5 SILVER GREY 50M	8	7	6	6	5	4
10/7,5	25	50	PUR-10/7,5 WHITE 25M IN BOX	PUR-10/7,5 BLUE 25M IN BOX	PUR-10/7,5 BLACK 25M IN BOX	PUR-10/7,5 SILVER GREY 25M IN BOX*	8	7	6	6	5	4
12/9	25	60	PUR-12/9 WHITE 25M IN BOX	PUR-12/9 BLUE 25M IN BOX	PUR-12/9 BLACK 25M IN BOX	PUR-12/9 SILVER GREY 25M IN BOX	8	7	6	6	5	4
12/9	50	60	PUR-12/9 WHITE 50M	PUR-12/9 BLUE 50M	PUR-12/9 BLACK 50M	PUR-12/9 SILVER GREY 50M	8	7	6	6	5	4
14/11	50	83	PUR-14/11 WHITE 50M	PUR-14/11 BLUE 50M	PUR-14/11 BLACK 50M	PUR-14/11 SILVER GREY 50M	7	6	5	5	4	4

*not held in stock
Other colours, sizes, lengths, rolls, reels etc. available on request.

PUS (CO-Polyurethane)

PUS is primarily used in confined spaces because it has a small bend radius.

- High flexibility
- Excellent bend radius
- Good hydrolysis resistance
- Temperature resistant
- Pressure resistant
- Halogen free
- UV stabilised



COMPATIBILITY	
Series 6000 Series X6000 Series 7000 Series 8000	
Push connector/Rapid* *note the inner diameter	
Compression ring connector/ Universal* *note the inner diameter	

TECHNICAL DATA	
Material	CO-Polyurethane
Hardness	Soft - 55 Shore D
Temperature range	-40°C + +100°C

EØ/IØ (mm)	Length (m)	Bend radius (mm)	○	●	●	●	Operating pressure (bar) - Safety factor 3				
							23°C	30°C	40°C	50°C	60°C
4/2,5	100	10	PUS-4/2,5 WHITE 100M RING	PUS-4/2,5 BLUE 100M RING	PUS-4/2,5 BLACK 100M RING	PUS-4/2,5 SILVER GREY 100M RING	22	18	16	14	12
6/4	100	15	PUS-6/4 WHITE 100M RING	PUS-6/4 BLUE 100M RING	PUS-6/4 BLACK 100M RING	PUS-6/4 SILVER GREY 100M RING	19	16	13	12	10
8/6	100	25	PUS-8/6 WHITE 100M RING	PUS-8/6 BLUE 100M RING	PUS-8/6 BLACK 100M RING	PUS-8/6 SILVER GREY 100M RING	16	13	11	10	9
10/8	100	35	PUS-10/8 WHITE 100M RING	PUS-10/8 BLUE 100M RING	PUS-10/8 BLACK 100M RING	PUS-10/8 SILVER GREY 100M RING	12	10	9	7	7
12/9	100	45	PUS-12/9 WHITE 100M RING	PUS-12/9 BLUE 100M RING	PUS-12/9 BLACK 100M RING	PUS-12/9 SILVER GREY 100M RING	13	11	9	8	7

Other colours, sizes, lengths, rolls, reels etc. available on request.

PES (Polyethylene)

PES has good chemical resistance, primarily against gases and liquids such as lubricants, detergents and acids.

- Low price
- Chemical resistant
- Pressure resistant
- Halogen free



COMPATIBILITY	
Series 6000 Series X6000 Series 7000 Series 8000	
Push on connectors/Rapid	
Compression ring connectors/ Universal	

TECHNICAL DATA	
Material	LLDPE
Hardness	Medium hardness - 60 Shore D
Temperature range	Installation: -30°C ÷ +50°C Operation: -40°C ÷ +60°C

EØ/IØ (mm)	Length (m)	Bend radius (mm)	○	●	●	Operating pressure (bar) - Safety factor 3		
						20°C	40°C	60°C
6/4	100	36	PES-6/4 WHITE 100M	PES-6/4 BLUE 100M *	PES-6/4 BLACK 100M	19	13	9
8/6	50	50	PES-8/6 WHITE 50M	PES-8/6 BLUE 50M	PES-8/6 BLACK 50M	14	10	6
10/8	50	80	PES-10/8 WHITE 50M	PES-10/8 BLUE 50M	PES-10/8 BLACK 50M	10	7	5
12/10	50	118	PES-12/10 WHITE 50M	PES-12/10 BLUE 50M	PES-12/10 BLACK 50M *	8	6	4



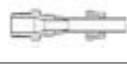



*not held in stock
Other colours, sizes, lengths, rolls, reels etc. available on request.

PV (Polyvinyl chloride)


PV is our most pressure resistant hose, thanks to its woven polyester fibre reinforcement.

- Extremely resistant to pressure

TECHNICAL DATA	
Material	PVC
Hardness	Inner layer: 85±3 Shore A Outer layer: 80±5 Shore A
Temperature range	-10°C ÷ +60°C

COMPATIBILITY	
Series 6000 Series X6000 Series 7000 Series 8000	
	
Push on connectors/Rapid	
	
Compression ring connectors/Universal	
	



EØ/IØ (mm)	Length (m)	Bend radius (mm)		Operating pressure (bar) - Safety factor 3.5	
				20°C	60°C
6,2/4	50	50	PV-6/4 BLUE 50M	40	28
8,2/6	50	60	PV-8/6 BLUE 50M	35	24
10,2/8	50	65	PV-10/8 BLUE 50M	35	24
12,5/10	50	80	PV-12/10 BLUE 50M	28	20
15,2/12,5	50	100	PV-15/12,5 BLUE 50M	28	20







Other colours, sizes, lengths, rolls, reels etc. available on request.

PTFE (Polytetrafluorethylene)


PTFE, better known as the brand name Teflon®, has extremely good temperature and chemical properties

- The most chemical resistant of all known plastic materials
- Extremely temperature resistant
- Pressure resistant
- Extremely low friction coefficient
- Has a waxy surface that prevents residues collecting on it
- Does not absorb water
- Does not age
- Meets the regulations for FDA 21CFR 177.1550
- Halogen free
- Unlike other thermoplastics, does not break down when exposed to UV light (= UV resistant), ozone or acid

TECHNICAL DATA	
Material	PTFE
Hardness	Medium hardness - 60 Shore D
Temperature range	-200°C ÷ +260°C

COMPATIBILITY	
Series 6000 Series X6000 Series 7000 Series 8000	
	
Push on connectors/Rapid	
	
Compression ring connectors/Universal	
	



EØ/IØ (mm)	Length (m)	Bend radius (mm)		Operating pressure (bar) - Safety factor 3						
				25°C	50°C	75°C	100°C	150°C	200°C	250°C
4/2	10	17	PTFE-4/2 WHITE	46,67	35,67	27,67	22,33	15,33	11,67	9,67
5/3	10	25	PTFE-5/3 WHITE	31,11	23,78	18,44	14,89	10,22	7,78	6,44
6/4	10	46	PTFE-6/4 WHITE	23,33	17,83	13,83	11,17	7,67	5,83	4,83
8/6	10	66	PTFE-8/6 WHITE	15,56	11,89	9,22	7,44	5,11	3,89	3,22
10/8	10	101	PTFE-10/8 WHITE	11,67	8,92	6,92	5,58	3,83	2,92	2,42
12/10	10	149	PTFE-12/10 WHITE	9,33	7,13	5,53	4,47	3,07	2,33	1,93

Other colours, sizes, lengths, rolls, reels etc. available on request.

1-PA (Welding hose)

1-PA is a polyamide hose with a PVC casing which protects it from welding sparks.

- Pressure resistant
- Chemical resistant
- UV stabilised



COMPATIBILITY	
Series 6000 Series X6000 Series 7000 Series 8000	
Push on connectors/Rapid	
Compression ring connectors/Universal	

TECHNICAL DATA	
Material	PA12P40 + PVC
Hardness	PA12P40: 65 Shore D PVC: 80 Shore A
Temperature range	-10°C ÷ +70°C

EØ/IØ (mm)	Length (m)	Bend radius (mm)	●	Operating pressure (bar) - Safety factor 3			
				23°C	40°C	60°C	80°C
4/2	25	24	1-PA-4/2 BLACK WELDING 25M	44	32	25	21
4/2	50	24	1-PA-4/2 BLACK WELDING 50M	44	32	25	21
6/4	50	36	1-PA-6/4 BLACK WELDING 50M	26	19	15	12
8/6	50	50	1-PA-8/6 BLACK WELDING 50M	19	14	11	9
10/8	50	80	1-PA-10/8 BLACK WELDING 50M	14	10	8	7
12/10	25	118	1-PA-12/10 BLACK WELDING 25M	12	9	7	6

Other colours, sizes, lengths, rolls, reels etc. available on request.

PASP (Spiral hose made of polyamide)

PASP is a spiral hose made of polyamide.

- Flexible
- Pressure resistant
- Temperature resistant
- Chemical resistant
- Halogen free
- UV stabilised
- With or without pre-mounted connectors and buckling springs.



COMPATIBILITY	
Series 6000 Series X6000 Series 7000 Series 8000	
Push on connectors/Rapid	
Compression ring connectors/Universal	

TECHNICAL DATA	
Material	PA11
Hardness	Hard - 70 Shore D
Temperature range	-40°C ÷ +93°C

EØ/IØ (mm)	Working length (m)	Resting length (mm)	Spiral-IØ (mm)	Bend radius (mm)	●	Operating pressure (bar) - Safety factor 3			
						23°C	40°C	60°C	80°C
4/2	5	367	22	24	PASP-4/2-5-BLUE	75	53	41	32
4/2	10	735	22	24	PASP-4/2-10-BLUE	75	53	41	32
6/4	5	217	60	36	PASP-6/4-5-BLUE	45	32	24	19
6/4	10	434	60	36	PASP-6/4-10-BLUE	45	32	24	19
6/4	15	651	60	36	PASP-6/4-15-BLUE	45	32	24	19
8/6	5	177	100	50	PASP-8/6-5-BLUE	32	22	17	14
8/6	10	354	100	50	PASP-8/6-10-BLUE	32	22	17	14
8/6	15	531	100	50	PASP-8/6-15-BLUE	32	22	17	14
10/8	5	174	127	80	PASP-10/8-5-BLUE	25	18	14	11
10/8	10	349	127	80	PASP-10/8-10-BLUE	25	18	14	11
10/8	15	523	127	80	PASP-10/8-15-BLUE	25	18	14	11
12/10	5	206	127	118	PASP-12/10-5-BLUE	20	14	11	9
12/10	10	412	127	118	PASP-12/10-10-BLUE	20	14	11	9
12/10	15	618	127	118	PASP-12/10-15-BLUE	20	14	11	9
15/12,5	5	156	215	147	PASP-15/12,5-5-BLUE	20	14	11	9
15/12,5	10	434	150	147	PASP-15/12,5-10-BLUE	20	14	11	9
15/12,5	15	651	150	147	PASP-15/12,5-15-BLUE	20	14	11	9
8/6	3,5	124	100	50	PASP-1568-8/6-3,5-BLUE *	32	22	17	14
8/6	7	248	100	50	PASP-1568-8/6-7-BLUE *	32	22	17	14
8/6	15	531	100	50	PASP-1568-8/6-15-BLUE *	32	22	17	14
10/8	3,5	126	127	80	PASP-1568-10/8-3,5-BLUE *	25	18	14	11
10/8	7	248	127	80	PASP-1568-10/8-7-BLUE *	25	18	14	11
10/8	15	523	127	80	PASP-1568-10/8-15-BLUE *	25	18	14	11
12/10	3,5	146	127	118	PASP-1568-12/10-3,5-BLUE *	20	14	11	9
12/10	7	297	127	118	PASP-1568-12/10-7-BLUE *	20	14	11	9
12/10	15	618	127	118	PASP-1568-12/10-15-BLUE *	20	14	11	9

*Including pre-installed connectors and buckling springs. Other colours, sizes, lengths, available on request.

Multicore

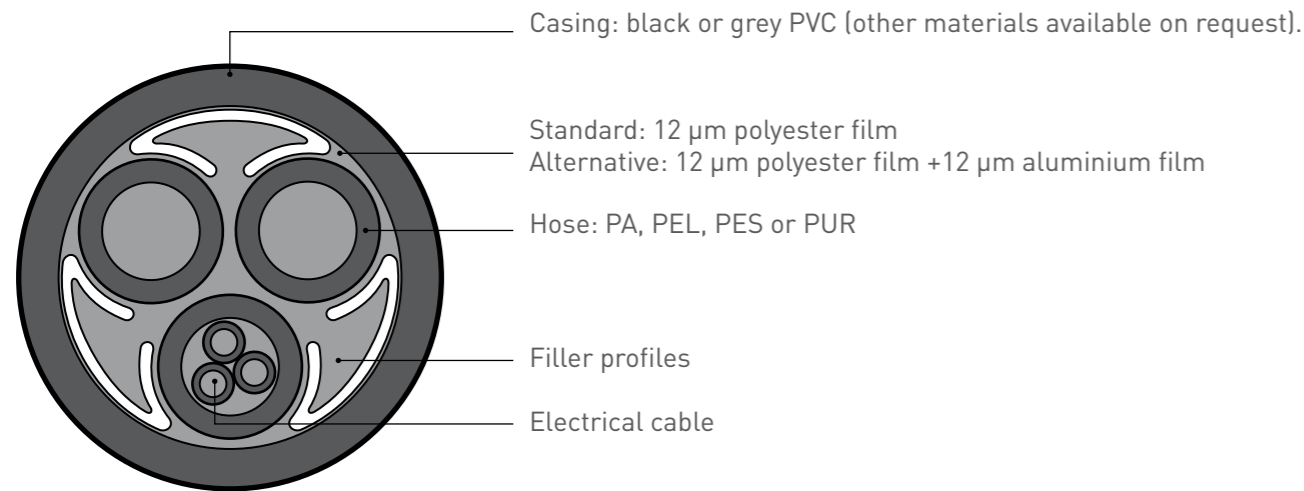
The multicore can contain hoses, liquid hoses, electrical cables and optic fibres.

- With or without filler profiles to maintain a round shape.
- Specification: to the customer's requirements.
- Minimum quantity: 500 m.

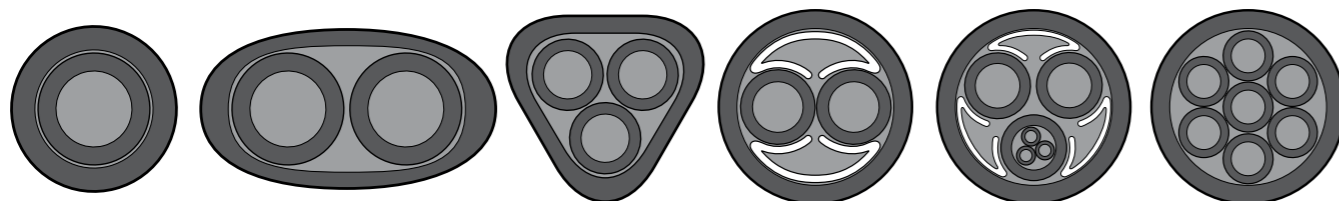
TECHNICAL DATA	
Material	Casing: grey or black PVC Inner hose: PA, PEL, PES or PUR Liquid pipes: to customer's specification Electrical cable: to customer's specification Optical fibre: to customer's specification
Hardness	Depending on contents
Temperature range	Depending on contents



Example construction



Example models



PUR-DUO

PUR-DUO is two hoses that are welded together into a pair.

- Cleaner hose routing
- Faster hose routing
- Separate colours for differentiation

COMPATIBILITY	
Series 6000 Series X6000 Series 7000 Series 8000	
Push on connectors/Rapid	
Compression ring connectors/ Universal	

TECHNICAL DATA	
Material	PUR









EØ/IØ (mm)	Length (m)	
4/2	50	PUR-DUO-4/2-50M BLUE/BLACK
6/4	50	PUR-DUO-6/4-50M BLUE/BLACK
8/6	50	PUR-DUO-8/6-50M BLUE/BLACK
10/8	50	PUR-DUO-10/8 50M BLUE/BLACK

Other colours, sizes, lengths, rolls, reels etc. available on request.



PUR-DUO-SP

PUR-DUO-SP is a spring hose with two hoses that are welded together into a pair.

- Separate colours for differentiation

COMPATIBILITY	
 	Series 6000 Series X6000 Series 7000 Series 8000
 	Push on connectors/Rapid
 	Compression ring connectors/ Universal

TECHNICAL DATA	
Material	PUR

EØ/IØ (mm)	Length (m)	Resting length (mm)	Spring-IØ (mm)	 
4/2	10	1120	30	PUR-DUO-SP-4/2-10M BLUE/BLACK
6/4	10	1040	45	PUR-DUO-SP-6/4-10M BLUE/BLACK
8/6	10	1100	58	PUR-DUO-SP-8/6-10M BLUE/BLACK
10/8	10	1200	84	PUR-DUO-SP-10/8-10M BLUE/BLACK

Other colours, sizes, lengths etc. available on request.



Accessories for hoses

Clamp strips

Blue plastic
Installed with nails/screws



Designation	Number of hoses/clip	Hose-EØ (mm)
4001-4/2-5/3-10	10	4-5
4001-6/4-10	10	6
4001-8/6-10	10	8
4001-10/8-6	6	10
4001-12/9-6	6	12

T-clips

Black injection moulded acetal plastic -40°C ÷ +100°C
Installed with nails/screws



Designation	Number of hoses/clip	Hose-EØ (mm)
T-4-5	2	4-5
T-6-7	2	6-7
T-8-9	2	8-9
T-10-11	2	10-11
T-12-14	2	12-14
T-15-17	2	15-17
T-18-21	2	18-21

Hose/pipe cutter

Metal

Designation	Description
PNZ-12	max 12 mm
PNZ-25	max 25 mm
LAME X PNZ-12	Blade for PNZ-12
LAME X PNZ-25	Blade for PNZ-25

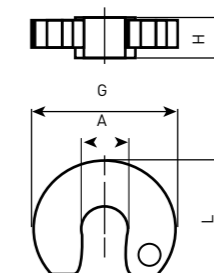


Tool for removing brake hose from brake coupling

Plastic



Designation	A	G	H	L	Weight (g)
DRK 6	6	25	6	19	1
DRK 8	8	28,5	7	20	1
DRK 10	10	30,5	9	22	2
DRK 12	12	33	9	23	3
DRK 15	15	36	10	27	3
DRK 16	16	37	10	27,5	4
DRK 18	18	40	12	31	5
DRK-KIT-SE01	Complete kit including hose section and connector (installed) - see image.				



Hose/pipe cutter

Plastic

Designation	Description
PNZP-12	4-12 mm
4003-B15	Blade for PNZP-12



About Mellifiq

Mellifiq is a multi-awarded environmental service company group, that has since the early nineties evolved into a world leading system and solution provider with multiple groundbreaking applications for industrial, municipal, and real estate clients. We supply cutting-edge technologies to manage the most sophisticated air, water, and energy challenges.

Mellifiq offers a complete range of air and water treatment technologies and solutions across multiple industries such as processing industry, energy sector, food and beverage, pharmaceutical, wastewater treatment and commercial real estate.

Mellifiq offers strong and renowned brands, such as Ozonotech, Nodora and Water Maid, and world-class engineering services combined an excellent track record of more than 40 years of innovation. We help our clients achieve the most efficient and sustainable solutions while creating the maximum value for their businesses.

With several business units across Europe, Mellifiq is headquartered in Stockholm where research and development, production, QA and certification all take place. Our unique technology and our extensive expertise have made us the Center of Excellence for the world's most complex projects, and a global player with installations on all six continents.

Everyday millions of people rely on our solutions for ventilation, disinfection, sanitation, and odor control. We are committed to raising the bar for the concept of clean and the industry standard for engineering, technical services and general contracting.

For additional information, visit our website at www.mellifiq.com

Elektravägen 53
SE-126 30 Hägersten, Sweden
+46 10 252 30 00
www.mellifiq.com



MELLIFIQ