

Oxygen generator

Elektravägen 53
SE-126 30 Hägersten, Sweden
+46 10 252 30 00
www.ozonetech.com

AS-Q

Alpha-Series Oxygen Generators produce from 0.56 to 141.58 m³ (20 to 5,000 ft³) of oxygen per hour at up to 95.5% oxygen concentration.

When electricity and a source of compressed air is supplied, these dependable machines can provide oxygen for any application.



Specification

Product characteristics	
Product flow	65.72-72.61 Nm ³ /h or 1,179-1,321 LPM (2,500-2,800 SCFH) ¹
Product pressure	310-448 kPa (45-65 psig) ¹
Product concentration (nominal)	95% ±1%
Product dew point	-73 °C (-100 °F)
Dimensions (W x D x H) (nominal)	284 x 155 x 356 cm (112 x 61 x 140 in)
Weight	3,640 kg (8,025 lb)
Physical connections ²	
Compressed air inlet	2" 150# ANSI Flange
Product gas outlet	1" NPT
Ambient operating conditions	
Locate the oxygen generator in a well ventilated area that is protected from weather elements and remains between 4 °C (40 °F) and 40 °C (104 °F)	
Feed air requirements	
Flow rate: refer to chart on next page. Clean and dry "Plant Air" (Class 5.6.5 per ISO 8573.1) Pressure: 621 kPa (90 psig) minimum Temperature: 50 °C (122 °F) maximum	
Control power requirements (single phase)	
120 V ~ ±10%, 50/60 Hz, 3.0 A or 220 V ~ ±10%, 50/60 Hz, 1.0 A	



© Ozonetech

ozonetech.
a MELLIFIQ brand

Oxygen generator

Specification

2,498 Liters/660 gallon oxygen receiver characteristics	
Dimensions (Dia. x H)	125 x 328 cm (49 x 129 in)
Weight	590 kg (1,300 lb)

¹ Nm³ (Normal cubic meter) gas measured at 1 atmosphere and 0 °C / SCF (Standard cubic foot) gas measured at 1 atmosphere and 70 °F.

² Hose and applicable adapters included with optional Factory-supplied accessory kits.

Typical applications

Medical

- Hospital systems

Manufacturing

- Thermal/chemical oxidation
- Brazing/soldering/cutting

Environmental

- Ozone (generator) feed gas
- Environmental remediation
- Waste/water treatment

Glass industry

- Glass work/manufacturing/blowing

Additional

- Fish farming

Features

- Produces oxygen from an independent compressed air source
- Optional NEMA 4 touchscreen control panel with integrated oxygen concentration monitor
- Microprocessor controlled
- Low operating cost
- Automatic and unattended operation
- Easy to install and maintain

Elektravägen 53
SE-126 30 Hägersten, Sweden
+46 10 252 30 00
www.ozonotech.com



© Ozonotech

ozonotech.
a MELLIFIQ brand

Oxygen generator

Ordering information

Model	Part number	Description
AS-Q	AS109-7	With HMI NEMA 4 Touchscreen and oxygen concentration monitor, 120 V ~ ±10%, 50/60 Hz ¹
	AS109-8	With HMI NEMA 4 Touchscreen and oxygen concentration monitor, 220 V ~ ±10%, 50/60 Hz ¹
Accessories	TA079-1	2,498 Liters/660 gallon oxygen receiver
Shipping information	AS-Q	2,498 Liters/660 gallon oxygen receiver
Class	92.5	70
Commodity classification number	8421.39.8040	7311.00.0000
Dimensions (W x D x H)	213 x 366 x 173 cm (84 x 144 x 68 in) generator (no pallet) 122 x 122 x 41 cm (48 x 48 x 16 in) filter(s) and pallet	112 x 335 x 127 cm (44 x 132 x 50 in)
Gross weight	3,606 kg (7,950 lb) generator (no pallet) 58 kg (128 lb) filter(s) and pallet	680 kg (1,500 lb)

¹ Specify oxygen flow and pressure at time of order.

An unprotected or inadequately ventilated environment, or improper control power may cause damage to the oxygen generator. All performance ratings based on an ambient temperature up to 38 °C (100 °F), up to 304.8 meters (1,000 feet) elevation, and 80% relative humidity.

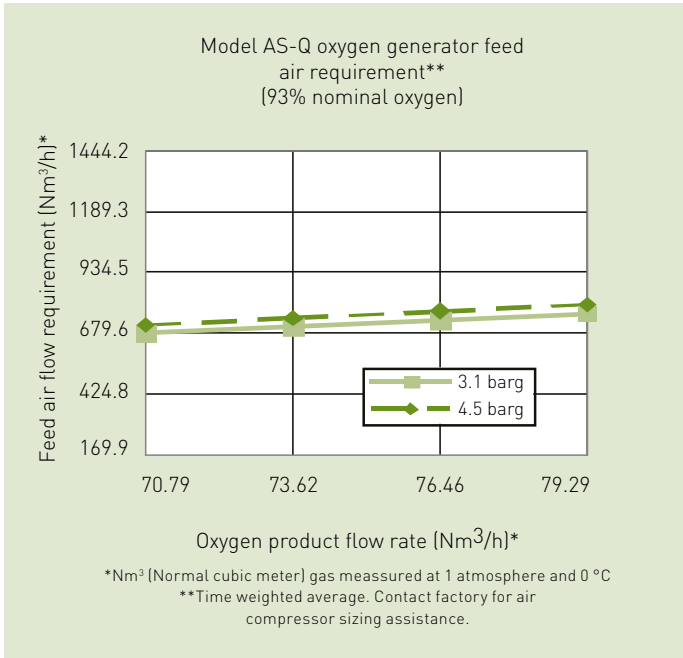
Elektravägen 53
SE-126 30 Hägersten, Sweden
+46 10 252 30 00
www.ozonotech.com



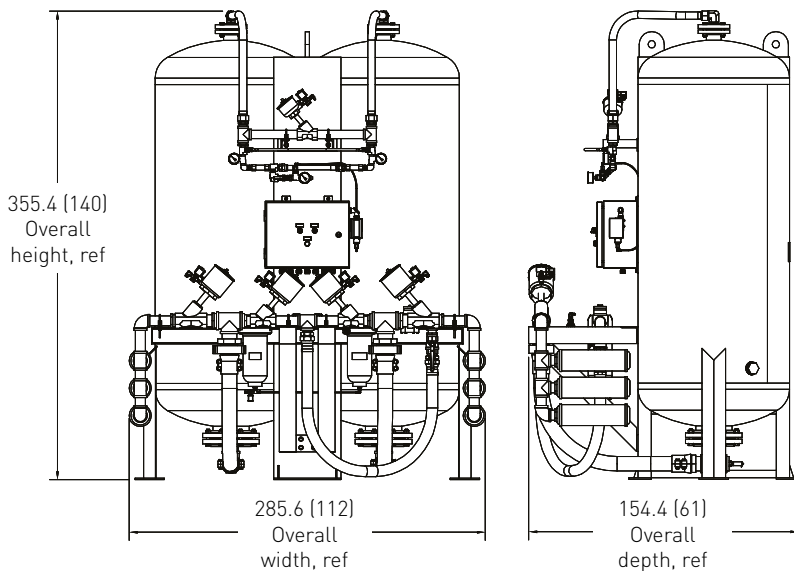
© Ozonotech

ozonotech.
a MELLIFIQ brand

Oxygen generator



Note: All dimensions are nominal



Elektravägen 53
 SE-126 30 Hägersten, Sweden
 +46 10 252 30 00
www.ozonotech.com



© Ozonotech

ozonotech.
 a MELLIFIQ brand