

## Oxygen generator

Elektravägen 53  
SE-126 30 Hägersten, Sweden  
+46 10 252 30 00  
www.ozonetech.com

# AS-Z

Alpha-Series Oxygen Generators produce from 0.56 to 141.58 m<sup>3</sup> (20 to 5,000 ft<sup>3</sup>) of oxygen per hour at up to 95.5% oxygen concentration.

When electricity and a source of compressed air is supplied, these dependable machines can provide oxygen for any application.



## Specification

### Product characteristics

Product flow 131.44-144.59 Nm<sup>3</sup>/h (5,000-5,500 SCFH)<sup>1</sup>

Product pressure 310-448 kPa (45-65 psig)<sup>1</sup>

Product concentration (nominal) 93%

Product dew point -73 °C (-100 °F)

Dimensions (W x D x H) (nominal) 290 x 224 x 500 cm (114 x 88 x 197 in)

Weight 9,073 kg (20,002 lb)

### Physical connections<sup>2</sup>

Compressed air inlet 3" 150# ANSI Flange

Product gas outlet 1½" 150# ANSI Flange

### Ambient operating conditions

Locate the oxygen generator in a well ventilated area that is protected from weather elements and remains between 4 °C (40 °F) and 40 °C (104 °F)

### Feed air requirements

Flow rate: refer to chart on next page.  
Clean and dry "Plant Air" (Class 5.6.5 per ISO 8573.1)  
Pressure: 621 kPa (90 psig) minimum  
Temperature: 50 °C (122 °F) maximum

### Control power requirements (single phase)

120 V ~ ±10%, 50/60 Hz, 3.0 A or 220 V ~ ±10%, 50/60 Hz, 1.0 A



© Ozonetech

**ozonetech.**  
a MELLIFIQ brand

# Oxygen generator

## Specification

### 5 867 Liters/1 550 gallon oxygen receiver characteristics

Dimensions (Dia. x H)	157 x 457 cm (62 x 180 in)
Weight	1,134 kg (2,500 lb)

<sup>1</sup> Nm<sup>3</sup> (Normal cubic meter) gas measured at 1 atmosphere and 0 °C / SCF (Standard cubic foot) gas measured at 1 atmosphere and 70 °F.

<sup>2</sup> Hose and applicable adapters included with optional Factory-supplied accessory kits.

## Typical applications

### Medical

- Hospital systems

### Manufacturing

- Thermal/chemical oxidation
- Brazing/soldering/cutting

### Environmental

- Ozone (generator) feed gas
- Environmental remediation
- Waste/water treatment

### Glass industry

- Glass work/manufacturing/blowing

### Additional

- Fish farming

## Features

- Produces oxygen from an independent compressed air source
- HMI NEMA 4 touchscreen control panel with integrated oxygen concentration monitor
- Microprocessor controlled
- Low operating cost
- Automatic and unattended operation
- Easy to install and maintain

Elektravägen 53  
SE-126 30 Hägersten, Sweden  
+46 10 252 30 00  
[www.ozonotech.com](http://www.ozonotech.com)



© Ozonotech

**ozonotech.**  
a MELLIFIQ brand

# Oxygen generator

## Ordering information

Model	Part number	Description
AS-Z	AS122-7	With HMI NEMA 4 touchscreen and oxygen concentration monitor, 120 V ~ ±10%, 50/60 Hz <sup>1</sup>
	AS122-8	With HMI NEMA 4 touchscreen and oxygen concentration monitor, 220 V ~ ±10%, 50/60 Hz <sup>1</sup>
Accessories	TA085-1	5 867 Liters/1 550 gallon oxygen receiver
<b>Shipping information</b>	<b>AS-Z</b>	<b>5,867 Liters/1,550 gallon oxygen receiver</b>
Class	92.5	70
Commodity classification number	8421.39.8040	7311.00.0000
Dimensions (W x D x H)	224 x 559 x 193 cm (88 x 220 x 76 in) generator (no pallet) 102 x 122 x 51 cm (40 x 48 x 20 in) filter and pallet 102 x 102 x 51 cm (48 x 48 x 20 in) silencer and pallet 102 x 102 x 51 cm (48 x 48 x 20 in) silencer bracket pallet	178 x 488 x 178 cm (70 x 192 x 70 in)
Gross weight	8,754 kg (19,300 lb) generator (no pallet). 113 kg (250 lb) filter and pallet. 91 kg (200 lb) silencer and pallet. 181 kg (400 lb) silencer bracket pallet.	1,361 kg (3,000 lb)

<sup>1</sup> Specify oxygen flow and pressure at time of order.

An unprotected or inadequately ventilated environment, or improper control power may cause damage to the oxygen generator. All performance ratings based on an ambient temperature up to 38 °C (100 °F), up to 304.8 meters (1,000 feet) elevation, and 80% relative humidity.

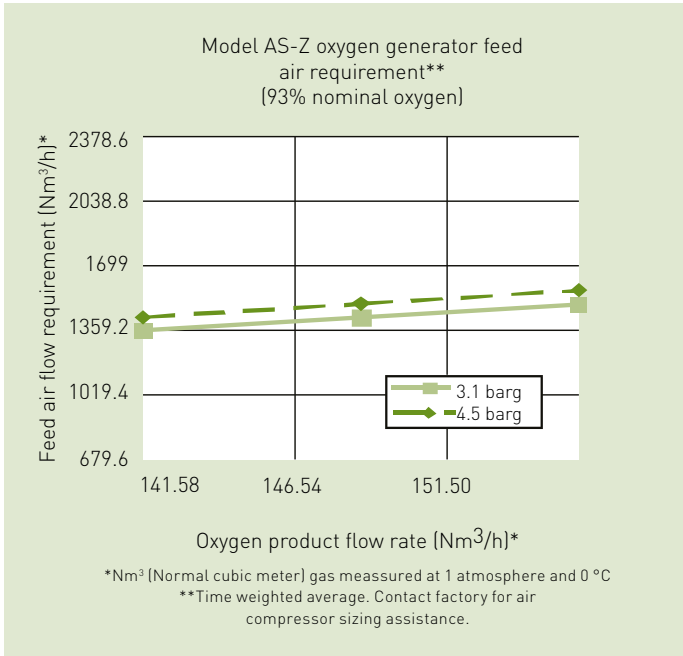
Elektravägen 53  
SE-126 30 Hägersten, Sweden  
+46 10 252 30 00  
[www.ozonotech.com](http://www.ozonotech.com)



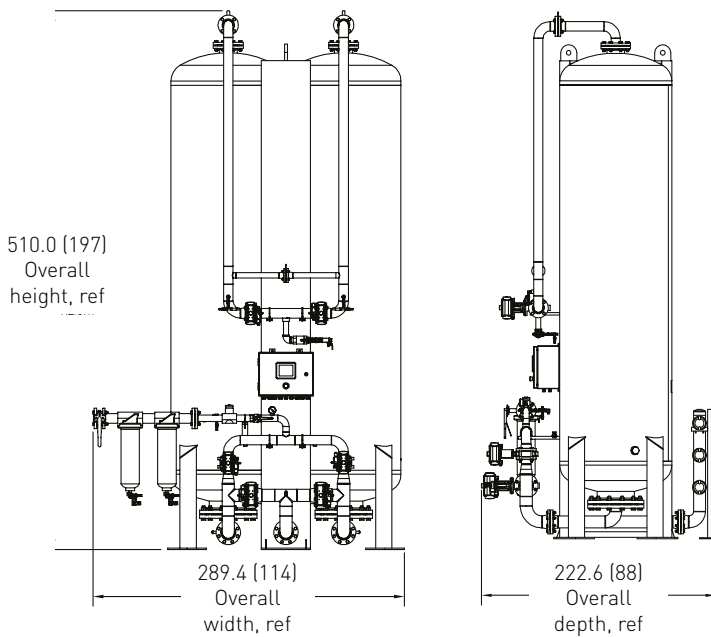
© Ozonotech

**ozonotech.**  
a MELLIFIQ brand

# Oxygen generator



Note: All dimensions are nominal



Elektravägen 53  
 SE-126 30 Hägersten, Sweden  
 +46 10 252 30 00  
 www.ozonotech.com



© Ozonotech

**ozonotech.**  
 a MELLIFIQ brand