



Elektravägen 53
 SE-126 30 Hägersten, Sweden
 +46 10 252 30 00
 www.mellifiq.com

UVLW – 800 WATT AMALGAM SYSTEMS

UV System	UVLW 6800-10	UVLW 6800-14	UVLW 8800-14	UVLW 16800-20	UVLW 20800-20	UVLW 22800-24	UVLW 30800-24	UVLW 30800-30	UVLW 45800-30
Performance									
3rd Party Validation	USEPA UVDGM (2006) & NWRI (2012)				NWRI 3rd Edition (2012)				
Certification	CE Marked								

UV Lamps and Monitoring									
Lamp power	800 W	800 W	800 W	800 W	800 W	800 W	800 W	800 W	800 W
Lamp Number	6	6	8	16	20	22	30	30	45
Lamp Life	16,000 Hours								
Lamp Design	TWISTLOK™ PLUS quick Release, Enhanced Safety - 800 Watt High Output Amalgam Low Pressure								
UV Monitoring	AT-463 - 4-20 mA - IP66 / AT-900 (Optional, but needed if USEPA validation is required)								
Variable Power	100% Power to 30% Power (Variable Automatic Dose Pacing)								



Elektravägen 53
SE-126 30 Hägersten, Sweden
+46 10 252 30 00
www.mellifiq.com

UV Chamber									
Connection Size (mm/ inch)	DN 200/8"	DN 250/10"	DN 250/10"	DN 400/16"	DN 400/16"	DN 500/20"	DN 500/20"	DN 500/20"	DN 500/20"
Connection Type	BS4504 PN10 RF Flange								
Design Pressure	7 Barg Design (10.5 Barg Test)								
Material Construction	316L Stainless Steel								
Internal / External Finish	1.6 µm Ra Internal / Bead Blasted								
Lamp and Wiper Access	Single Ended Access								
Quartz Type	High Purity Quartz Thimble								
Mounting	Legs								
Wiper System	Automatic Wiper System (Optional)								
Temperature Probe	AT-487 (PT-100) - IP66								
Vent & Drain Ports	Yes								
Access Hatch	Yes								
Ingress Protection	IP66								
Installation	Horizontal								
Chamber Options	0.8 µm Ra Internal Polish Upgrade / Electropolish Upgrade / Super Duplex 25% Chrome Steel / Connection Types								

Spectra II / Spectra II Touch - Local Control Cabinet									
Design	Epoxy Coated Mild steel - IP54 Standard								
Control Type	Microprocessor								
Interface	Soft Touch Push Button with 4 Line Text Display / 7" Touch Screen HMI				7" Touch Screen HMI - Full Colour Display				
Communication Options	Ethernet / Modbus RTU / Data Stream (other fieldbus options available)								
Lamp Power Supply	800 Watt Electronic Ballast								
Power Consumption	5,280 W	5,280 W	7,040 W	14,080 W	17,600 W	19,360 W	26,400 W	26,400 W	39,600 W
Mains Power	230 V (Other Voltages Available)				400 V (Other Voltages Available)				
Power Requirements	1 Phase + Neutral + Earth			3 Phase + Neutral + Earth					
Frequency	50 Hz (60 Hz Optional)								
Protection	Door Locked Isolator, MCB Protection								
Operating Temperature	Max Working Ambient +45 °C								
Operational Information	Please See SPECTRA II Data Sheet (Upgrade to Spectra II Touch Optional)								



© Saniray

SANIRAY
a MELLIFIQ brand



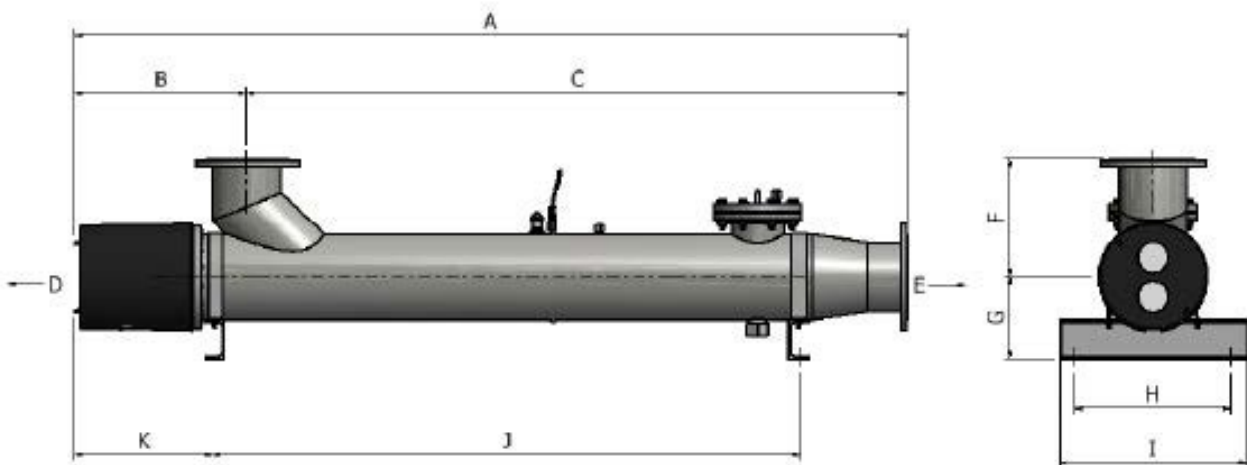
Elektravägen 53
 SE-126 30 Hägersten, Sweden
 +46 10 252 30 00
 www.mellifiq.com

UV System	UVLW 6800-10	UVLW 6800-14	UVLW 8800-14	UVLW 16800-20	UVLW 20800-20	UVLW 22800-24	UVLW 30800-24	UVLW 30800-30	UVLW 45800-30
Chamber Dimensions									
A	2663 mm	2796 mm	2796 mm	3079 mm	3079 mm	3079 mm	3079 mm	3092 mm	3092 mm
B	554 mm	586 mm	586 mm	666 mm	666 mm	691 mm	691 mm	705 mm	705 mm
C	2108 mm	2210 mm	2210 mm	2413 mm	2413 mm	2388 mm	2388 mm	2388 mm	2388 mm
D	1640 mm	1640 mm	1640 mm	1640 mm	1640 mm	1640 mm	1640 mm	1640 mm	1640 mm
E	N/A	N/A	N/A	N/A	N/A	N/A	N/A	N/A	N/A
F	381 mm	483 mm	483 mm	635 mm	635 mm	762 mm	762 mm	889 mm	889 mm
G	262 mm	303 mm	303 mm	379 mm	379 mm	430 mm	430 mm	506 mm	506 mm
H	500 mm	510 mm	510 mm	700 mm	700 mm	800 mm	800 mm	900 mm	900 mm
I	600 mm	600 mm	600 mm	800 mm	800 mm	900 mm	900 mm	1000 mm	1000 mm
J	Adjustable								
K	444 mm	475 mm	475 mm	479 mm	479 mm	479 mm	479 mm	493 mm	493 mm
Dry Weight	177 kg	335 kg	345 kg	460 kg	463 kg	645 kg	655 kg	1145 kg	1032 kg
Wet Weight	285 kg	640 kg	650 kg	1110 kg	940 kg	1390 kg	1365 kg	2330 kg	2080 kg

Spectra II - Dimensions

Width	700 mm	700 mm	700 mm	1400 mm	2000 mm	2000 mm	2000 mm	2000 mm	2600 mm
Height	1800 mm	1800 mm	1800 mm	2000 mm	2000 mm	2000 mm	2000 mm	2000 mm	2000 mm
Depth	500 mm	500 mm	500 mm	600 mm	600 mm	600 mm	600 mm	600 mm	600 mm
Weight	210 kg	210 kg	210 kg	680 kg	850 kg	870 kg	950 kg	950 kg	1250 kg
Standard Cable Length	5 m								
Maximum Cable Distance	35 m	35 m	35 m	35 m	35 m	35 m	35 m	35 m	35 m

KEY FOOTPRINT DIMENSIONS



* For full dimensions please see the specific GA drawing.